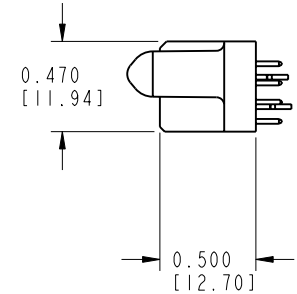
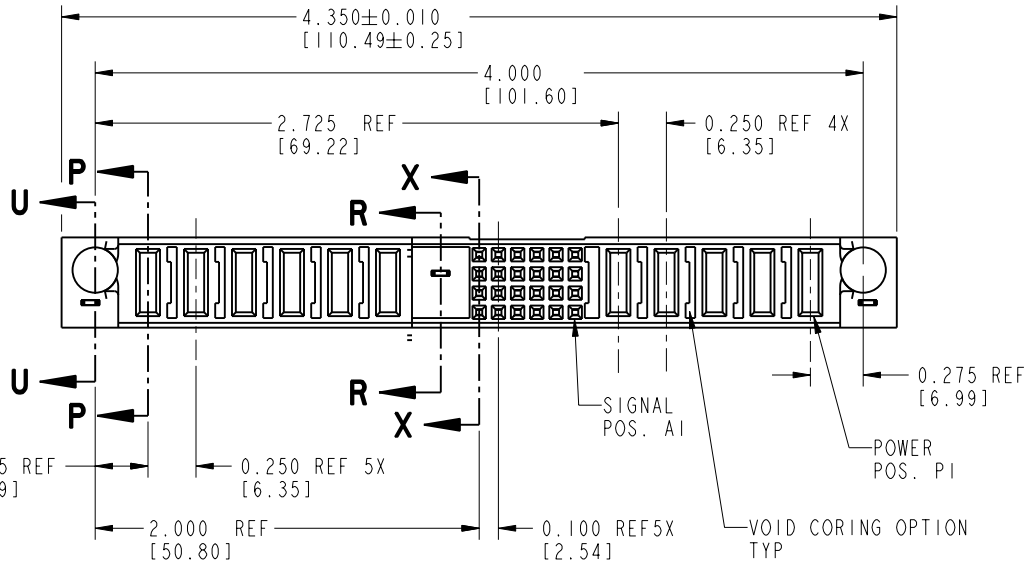
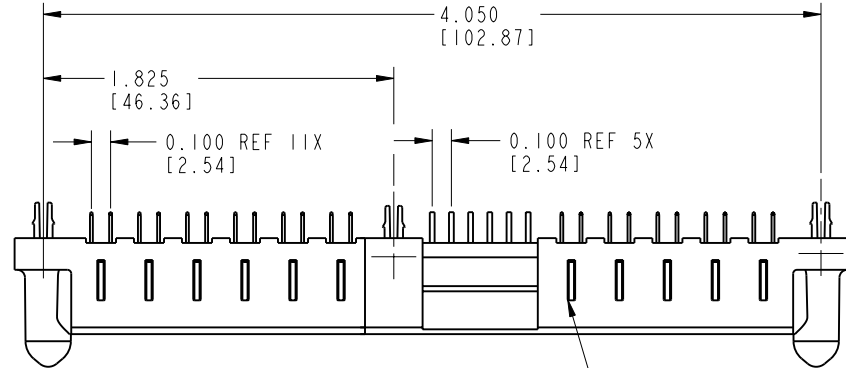


Tous droits strictement réservés. Reproduction ou communication o des liers interdite sous quelque forme que ce soit sans autorisation écrite du propriétaire. Propriete de c FCI. Droits de reproduction FCI.



All rights strictly reserved. Reproduction or issue to third parties in any form, whomever is not permitted without written authority from the proprietor. Property of FCI. Copyright FCI.

PRODUCT NUMBER
51413-XX001--
NOTE: ③



CONFIDENTIAL

| mat'l code | | | | SEE NOTES | | tolerances unless otherwise specified | | CUSTOMER COPY | | FCI | |
|-------------|----------------|-----|----------|-----------|-------------------------|---------------------------------------|--------------------|---------------|----------------------------|-----|--------|
| ltr | ecn no. | dr | date | linear | .XX ±.01/.X ±.3 | projection | www.fciconnect.com | | title | | |
| A | V91387 | SAR | 06-14-99 | angles | .XXX ±.005/.XX ±.13 | INCH/MM | 5P + 24S + 1M + 6P | | VERTICAL SOLDER RECEPTACLE | | |
| B | V00791 | MSG | 03-22-00 | dr | .XXXX ±.0020/.XXX ±.051 | scale | product family | | PwrBlade | | code |
| C | V01285 | EKK | 06-01-00 | engr | 0° ± 2° | 1:1 | size | | dwg no | | 213 |
| D | V01870 | CHB | 08-02-00 | chr | LEVEL V | | A | | 51413 | | sheet |
| E | DG05-0238 | SJ | 07/24/05 | appd | J. BROWN | | | | | | 1 of 4 |
| F | DG06-0295 | JMG | 07/20/06 | | J. BROWN | | | | | | |
| sheet index | revision sheet | F | F | F | F | | | | | | |
| | | 1 | 2 | 3 | 4 | | | | | | |

THIS FILE WAS ORIGINALLY CREATED IN THE PRO ENGINEER ENVIRONMENT AND ANY FUTURE REVISIONS TO THIS FILE MUST BE MADE IN THE PRO ENGINEER ENVIRONMENT

1 | 2

Pro/E

3 |

cage code 22526

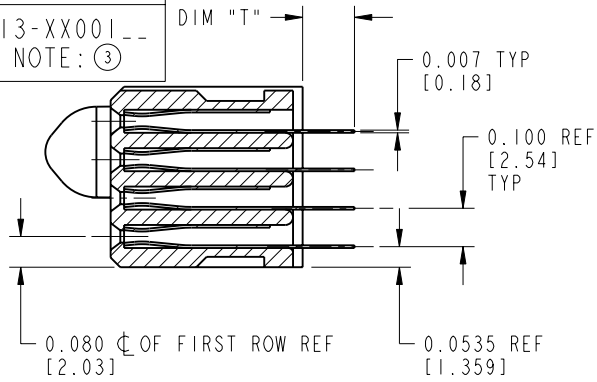
4

Tous droits strictement réservés. Reproduction ou communication o des liens interdite sous quelque forme que ce soit sans autorisation écrite du propriétaire. Propriete de c FCI. Droits de reproduction FCI.

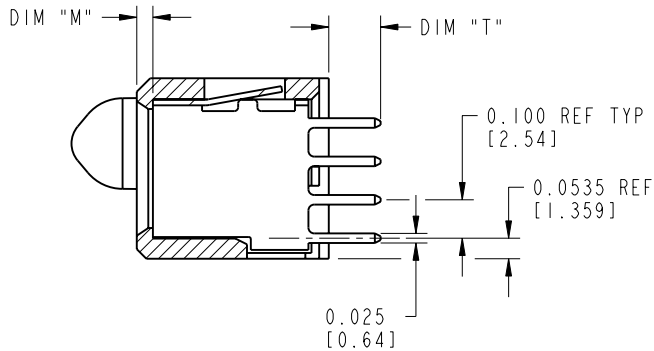


All rights strictly reserved. Reproduction or issue to third parties in any form, whatever is not permitted without written authority from the proprietor. Property of FCI. Copyright FCI.

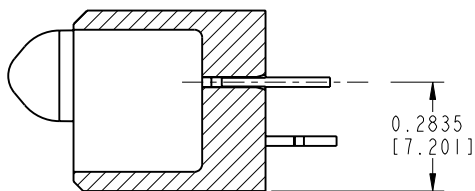
PRODUCT NUMBER
51413-XX001--
NOTE: ③



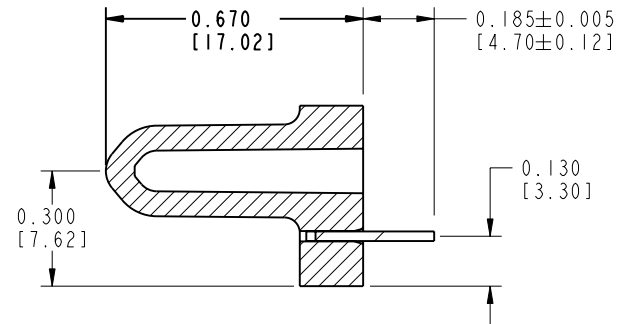
SECTION X-X



SECTION P-P



SECTION R-R



SECTION U-U

CONFIDENTIAL

| | | | | | | | | | |
|-------------|----------------|--------|------|---------------------------------------|--|---------------|--|---------------------------|----------|
| mat'l code | | NOTE 1 | | tolerances unless otherwise specified | | CUSTOMER COPY | | FCI www.fciconnect.com | |
| lfr | ecn no. | dr | date | linear | .XX ±.01/.X ±.3 | projection | title 5P + 24S + 1M + 6P VERTICAL SOLDER RECEPTACLE | | |
| F | | | | angles | .XXX ±.005/.XX ±.13 .XXXX ±.0020/.XXX ±.051 | | product family | Pwr Blade | code 213 |
| | | | | dr | 0° ± 2° | INCH/MM | size | dwg no | sheet 2 |
| | | | | engr | LEVEL V 01-06-99 | scale 2:1 | 51413 | | |
| | | | | chr | J. BROWN 01-06-99 | | | | |
| | | | | appd | J. BROWN 01-06-99 | | | | |
| sheet index | revision sheet | | | | | | | | |

Pro/E

cage code 22526

PDM: Rev:F

STATUS: Released

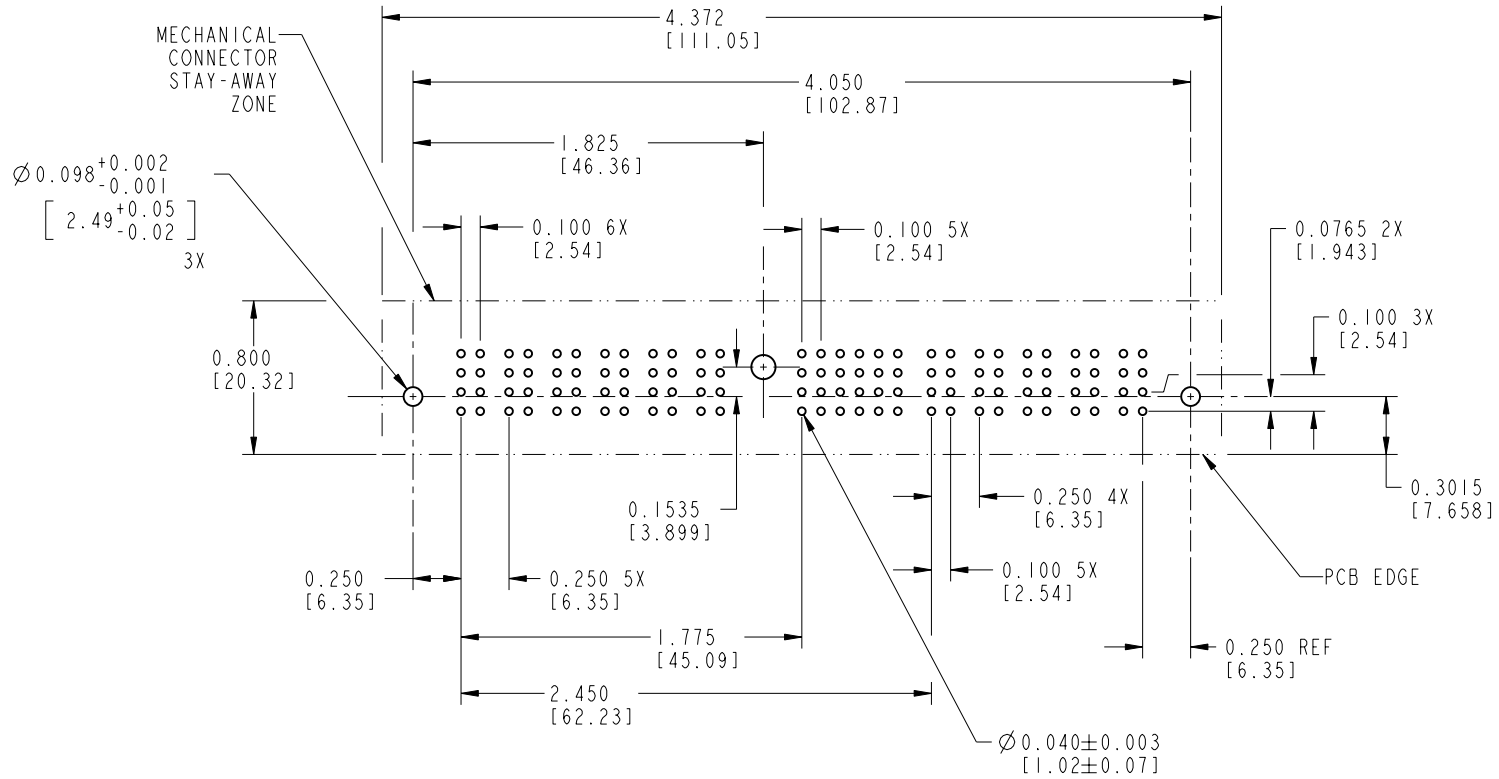
Printed: Aug 11, 2007

Tous droits strictement réservés. Reproduction ou communication o des liens interdite sous quelque forme que ce soit sans autorisation écrite du propriétaire. Propriete de c FCI. Droits de reproduction FCI.



All rights strictly reserved. Reproduction or issue to third parties in any form, whenever is not permitted without written authority from the proprietor. Property of FCI. Copyright FCI.

PRODUCT NUMBER
51413-XX001--
NOTE: ③



RECOMMENDED PCB LAYOUT

CONFIDENTIAL

| | | | | | | | | | |
|-------------|----------------|----|------|---------------------------------------|----------------------------|---------------|--|---------------------------|--------|
| mat'l code | | | | tolerances unless otherwise specified | | CUSTOMER COPY | | FCI www.fciconnect.com | |
| ltr | ecn no. | dr | date | linear | XX ± .01 / .X ± .3 | projection | title 5P + 24S + 1M + 6P VERTICAL SOLDER RECEPTACLE | | |
| F | | | | angles | XXX ± .005 / .XX ± .13 | | product family Pwr Blade code 213 | | |
| | | | | dr | XXXX ± .0020 / .XXX ± .051 | INCH/MM | size | dwg no | sheet |
| | | | | enrg | 0° ± 2° | scale 1:1 | A | 51413 | 3 of 4 |
| | | | | chr | LEVEL V 01-06-99 | | | | |
| | | | | appd | J. BROWN 01-06-99 | | | | |
| | | | | | J. BROWN 01-06-99 | | | | |
| sheet index | revision sheet | | | | | | | | |

cage code 22526

Pro/E

PDM: Rev:F

STATUS: Released

Printed: Aug 11, 2007

Tous droits strictement reserves. Reproduction ou communication o des liers interdite sous quelque forme que ce soit sans autorisation ecrite du proprietaire. Propriete de c FCI. Droits de reproduction FCI.



All rights strictly reserved. Reproduction or issue to third parties in any form, whatever is not permitted without written authority from the proprietor. Property of FCI. Copyright FCI.

| PRODUCT NUMBER | ITEM NO. | QTY | DIM "M" MATING LENGTH ±.010[0.25] | DIM "T" TAIL LENGTH ±.010[0.25] | CONTACT TYPE | PLATING FOR MATING | PLATING FOR TAIL |
|--------------------------|----------|-----|--------------------------------------|------------------------------------|--------------|--------------------|------------------|
| 51413-XX001-- NOTE: 3 | PA | 11 | 0.042 [1.07] | 0.135 [3.43] | POWER | 30 u'' [.76um] Au | SnPb |
| | E | 24 | N/A [N/A] | 0.135 [3.43] | SIGNAL | 30 u'' [.76um] Au | Sn |
| | HA | 3 | N/A [N/A] | N/A [N/A] | HOLD-DOWN | N/A [N/A] | SnPb |

| PRODUCT No. | ROWS | POWER | | | | | | HOLD | SIGNAL | | | | | POWER | | | | | | | | |
|--------------------------|------------------|-------|-----|-----|----|----|----|------|--------|---|---|---|---|-------|---|----|----|----|----|----|----|--|
| | | E2 | P11 | P10 | P9 | P8 | P7 | | P6 | 6 | 5 | 4 | 3 | 2 | 1 | P5 | P4 | P3 | P2 | P1 | E1 | |
| 51413-XX001-- NOTE: 3 | D C B A | | PA | PA | PA | PA | PA | PA | HA | E | E | E | E | E | E | E | PA | PA | PA | PA | PA | |

CONNECTOR NOTES:

- HOUSING MATERIAL: GLASS FILLED HIGH TEMP THERMO PLASTIC, FLAME RETARDANT PER UL94 V-0.
SIGNAL CONTACT MATERIAL: COPPER ALLOY
POWER CONTACT MATERIAL: COPPER ALLOY
- MANUFACTURER NAME, P/N, AND LOT CODE TO APPEAR ON THIS SURFACE.
- 51413-XX001; 51413-XX001LF; 51413-XX001GLF PLATING SPEC. SEE PRINT: 10064183

PCB NOTES

- ALL DIMENSIONS ARE BASIC UNLESS OTHERWISE SPECIFIED
- ALL THROUGH HOLES ARE LOCATED WITH A TRUE POSITION OF 0.004"
- ALL DIAMETERS ARE FINISHED HOLE SIZES
- Ø0.098" THROUGH HOLES ARE UNPLATED

CONFIDENTIAL

| | | | | | | | | | | | | | |
|-------------|----------------|----|------|---------------------------------------|--------------------|----------|------------|---------------|--|--------|-----------|--------------------|-----|
| mat'l code | | | | tolerances unless otherwise specified | | | | CUSTOMER COPY | | | | www.fciconnect.com | |
| ltr | ecr no. | dr | date | linear | XX ±.01/.X ±.3 | | projection | | title | | | | |
| F | | | | | XXX ±.005/.XX ±.13 | | | | 5P + 24S + 1M + 6P VERTICAL SOLDER RECEPTACLE | | | | |
| | | | | angles | 0° ± 2° | | INCH/MM | | product family | | Pwr Blade | code | |
| | | | | dr | LEVL V | 01-06-99 | | | size | | dwg no | 51413 | 213 |
| | | | | engr | J. BROWN | 01-06-99 | scale | | 1:1 | 4 of 4 | | | |
| | | | | chr | J. BROWN | 01-06-99 | | | | | | | |
| | | | | appd | J. BROWN | 01-06-99 | | | | | | | |
| sheet index | revision sheet | | | | | | | | | | | | |

cage code 22526

Pro/E